

WPW PROFESSIONAL CUTTING TOOLS

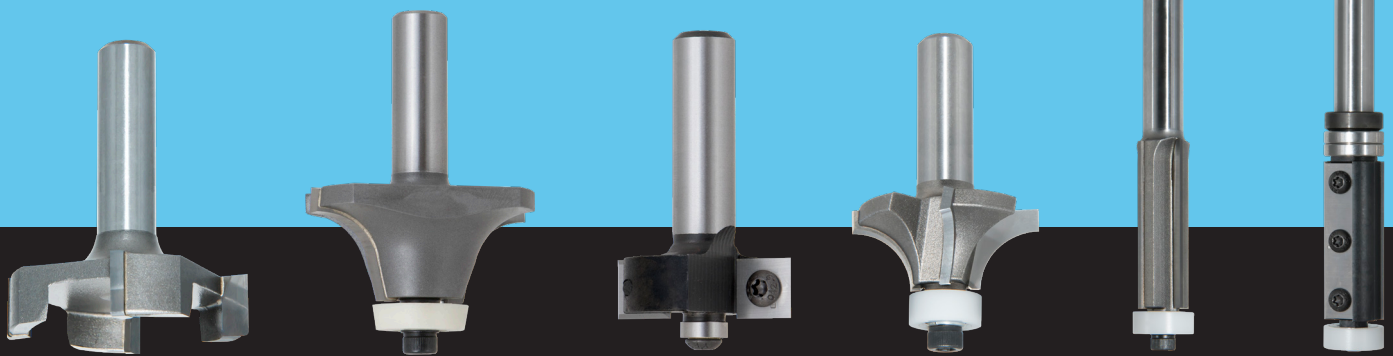
SOLID SURFACE (CORIAN®) ROUTER BITS



Wildly used for producing kitchen countertops and other applications.

Low Friction Delrin® Bearing Assembly for protecting the material surface from scratches.

Use WPW unique 4 fluted tools to achieve perfect results.



 **WPW**
CREATIVE CUTTING SOLUTIONS

Since 1959

FLUSH TRIM BITS / INLAY TRIMMING BITS

For trimming inlay or overlaps

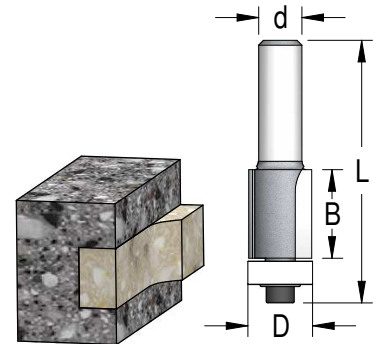
Low Friction Delrin® Bearing Assembly

F2...C

2 flutes with bottom ball bearing guide

Tool No.		D	B	L	Ball Bearing
d=12mm	d=1/2"	mm	mm	mm	
F241902C	F241908C	19.0	25	75	B190063C

For ordering F2...C with standard metal bearing (without Delrin®), drop the letter C at the end of the Tool Number



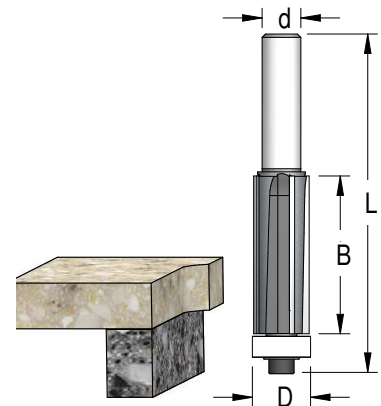
F4...C

4 flutes with bottom ball bearing guide

For better surface finish and longer tool life than tools with 2 flutes

Tool No.		D	B	L	Ball Bearing
d=12mm	d=1/2"	mm	mm	mm	
F441902C	F441908C	19.0	25	75	B190063C
F461902C	F461908C	19.0	38	99	B190063C
F481902C	F481908C	19.0	51	105	B190063C

For ordering F4...C with standard metal bearing (without Delrin®), drop the letter C at the end of the Tool Number



PF...C

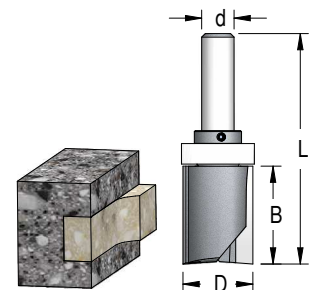
2 flutes with shank mounted bearing

Tool No.		D	B	L	Ball Bearing	Retainer
d=12mm	d=1/2"	mm	mm	mm		
*PF424V2C	-	24.0	25	83	B240120C	BDK1100
**PF72542	** PF72548	25.4	45	96	B254127	PF19000
***PF62852C	*** PF62858C	28.6	38	90	B285127C	PF12700

*Only with Delrin bearing

**Only with metal bearing (without Delrin®)

*** For ordering with standard metal bearing (without Delrin®), drop the letter C at the end of the Tool Number

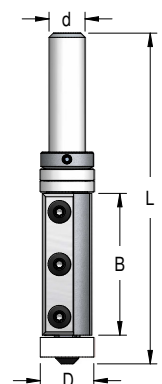


FPM...C

Tool No.		D	B	L	Blade No.	Ball Bearing	Retainer
d=12mm	d=1/2"	mm	mm	mm			
FPM1922C	FPM1928C	19.0	50	118	CM501217 x 2	B190063C+ B190127x2	PF19000

Only the bottom bearing is with Delrin bearing.

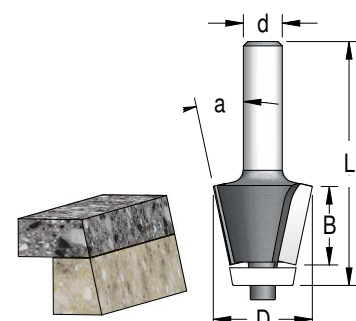
For ordering FPM...C with standard metal bearing (without Delrin®), drop the letter C at the end of the Tool Number



SLS...C

Bevel Trim Bit

Tool No.		a	D	B	L	Ball Bearing
d=12mm	d=1/2"	degrees	mm	mm	mm	
SLS1242C	SLS1248C	12°	32	25	80	B210100C
SLS1252C	SLS1258C	12°	39	32	78	B250050C



ROUNDING OVER BITS

Low Friction Delrin® Bearing Assembly

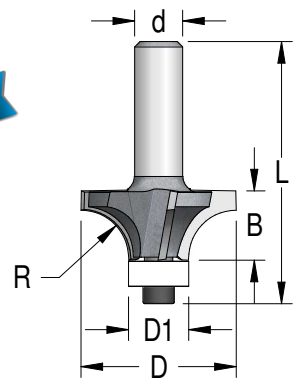
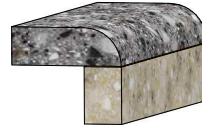
RWG...C

4 flutes

Special design for perfect surface finish and longer tool life.

Tool No.		R	D	D1	B	L	Ball Bearing
d=12mm	d=1/2"	mm	mm	mm	mm	mm	
RWG0602C	RWG0608C	6.3	28.6	15.9	11	64	B159063C
RWG1202C	RWG1208C	12.7	41.3	15.9	18	69	B159063C

For ordering RWG...C with standard metal bearing (without Delrin®), drop the letter C at the end of the Tool Number

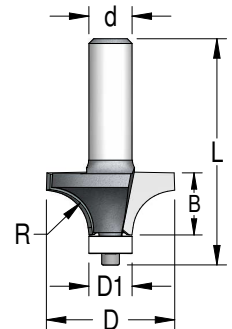


RW...C

2 flutes

Tool No.		R	D	D1	B	L	Ball Bearing
d=12mm	d=1/2"	mm	mm	mm	mm	mm	
RW03002C	RW03008C	3.2	19.0	12.7	9.5	61	B127048C
RW06002C	RW06008C	6.3	25.4	12.7	11	61	B127048C
RW10002C	RW10008C	9.5	31.8	12.7	16	68	B127048C
RW12002C	RW12008C	12.7	38.1	12.7	18	68	B127048C

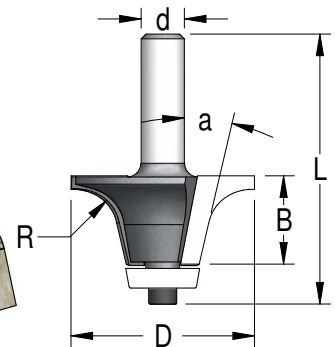
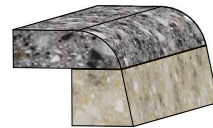
For ordering RW...C with standard metal bearing (without Delrin®), drop the letter C at the end of the Tool Number



RVW...C

Undermount Bowl Bits

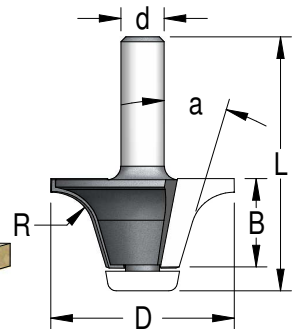
Tool No.		R	a	D	B	L	Ball Bearing
d=12mm	d=1/2"	mm	degrees	mm	mm	mm	
RVW13182C	RVW13188C	13.0	18°	54.0	25	79	B210100C
RVW14182C	RVW14188C	14.0	18°	57.0	32	85	B210100C



RVW...C

Bevel Guided Bits

Tool No.		R	a	D	B	L	Ball Bearing
d=12mm	d=1/2"	mm	degrees	mm	mm	mm	
RVW10172C	RVW10178C	9.5	17°	45.2	18	64	B220100C
RVW13172C	RVW13178C	12.7	17°	54.0	25	72	B220100C



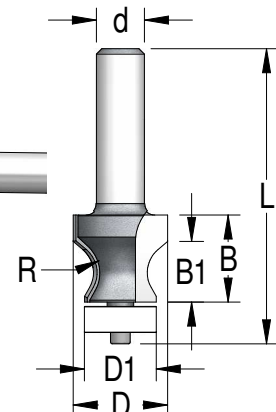
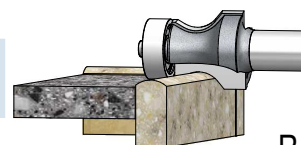
RO...C

"No Drip" Countertop Bit

Low Friction Delrin® Bearing Assembly

Tool No.		R	D	D1	B	B1	L	Ball Bearing
d=12mm	d=1/2"	mm	mm	mm	mm	mm	mm	
RO251932C	RO251938C	8.0	25.0	19.0	23	16	77	B190063C
RO251942C	RO251948C	8.0	25.0	19.0	29	24	83	B190063C

For ordering RO...C with standard metal bearing (without Delrin®), drop the letter C at the end of the Tool Number



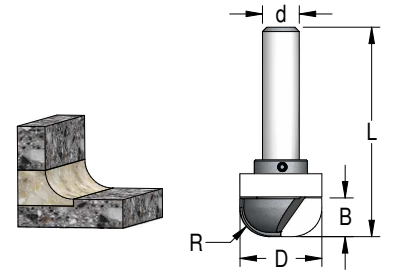
DB...C

Cove Bit

Shank mounted Low Friction Delrin® Bearing Assembly

Tool No.		R	D	B	L	Ball Bearing	Retainer
d=12mm	d=1/2"	mm	mm	mm	mm		
DB28102C	DB28108C	10.0	28.6	13	73	B285150C	PF15020

For ordering with standard metal bearing (without Delrin®), drop the letter C at the end of the Tool Number.

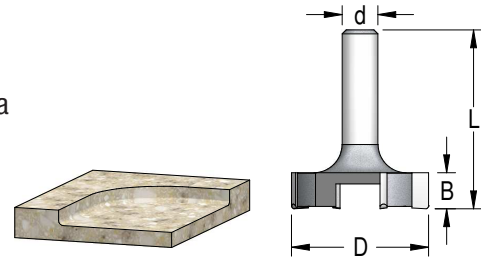


P4...C

4 Flutes Countertop Surface trimmer

Create shallow recesses in counter tops. The rounded bottom of the tool produces a rounded edge on the countertop to make it easier for cleaning.

Tool No.		D	B	L
d=12mm	d=1/2"	mm	mm	mm
P425102C	P425108C	50.8	13	63



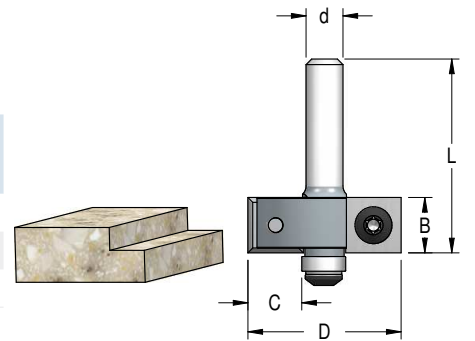
EM

Rabbeting bit with replaceable blades

Reduces set up time and cost effective.

Supplied with Torx key.

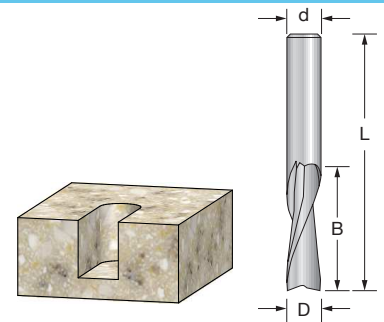
Tool No.			Flutes	C	D	B	L	Ball Bearing	Blade No.
d=8mm	d=12mm	d=1/2"		mm	mm	mm	mm		
EM21275			2	12.7	35.0	12	54	B095063	CM01212
	EM21272	EM21278	2	12.7	35.0	12	65	B095063	CM01212
	EM42222	EM42228	4	22.2	57.0	12	67	B127063	CM01212



SCU

Double flute Upcut Spiral Bits

Tool No.	d = D	B	L
	mm	mm	mm
SCU240805	8	25	60
SCU271202	12	42	90



B...C

Low Friction Delrin® Bearing replacement Assembly

Stock No.	D	B	L
	mm	mm	mm
B127048C	12.7	4.8	5
B159063C	15.9	6.3	7
B190063C	19.0	6.3	7
B240120C	24.0	12.0	7
B285127C	28.5	12.7	8
B285150C	28.5	15.0	8.5

Stock No.	a	D	D1	B
	degrees	mm	mm	mm
B210100C	10	21.8	6.3	5.7
B220100C	10	22.2	6.3	5.7
B250050C	5	25.4	6.3	8.2

